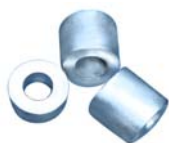


# 1 1/2" - 5" STEEL SHEAVES



Ship from stock

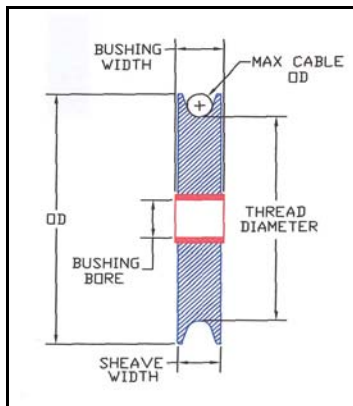
Turned from cold drawn bar stock

Zinc Electroplated

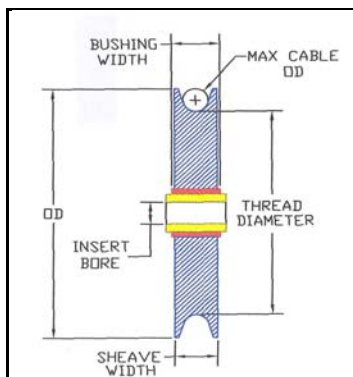
Bronze bushings are designed for high load and medium speed.

Oil-impregnated for permanent self lubrication

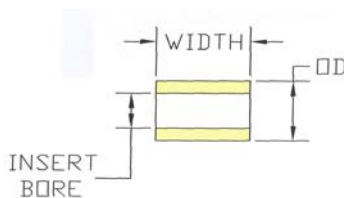
**Also available in Stainless Steel**



Steel Sheaves w/ Bronze Bearings (1-1/2" to 5")								
Item #	Maximum Cable Size	OD	Tread Diameter	Bearing Bore	Sheave Width	Bushing Width	Weight Lbs	Sell Price
100003	3/16	1 1/2	1	1/2	7/16	15/32	0.2	\$ 3.77
100007	3/16	2	1 1/2	1/2	7/16	15/32	0.3	\$ 5.12
100011	1/4	2 1/2	2	1/2	7/16	15/32	0.5	\$ 8.05
100015	1/4	3	2 1/2	1/2	7/16	15/32	0.8	\$ 10.60
100019	5/16	3	2 1/2	1/2	7/16	15/32	0.8	\$ 10.60
100021	5/16	3 1/2	3	3/4	5/8	11/16	1.3	\$ 15.20
100023	3/8	3 1/2	3	3/4	5/8	11/16	1.3	\$ 15.20
100025	3/8	4	3 1/4	3/4	5/8	11/16	1.8	\$ 23.83
100027	3/8	5	4 1/4	3/4	5/8	11/16	2.9	\$ 41.17



Steel Sheaves w/ Bronze Bearings and Inserts (1-1/2" to 5")								
Item #	Maximum Cable Size	OD	Thread Diameter	Insert Bore	Sheave Width	Insert Width	Weight Lbs	Sell Price
100000	3/16	1 1/2	1	1/4	7/16	1/2	0.2	\$ 4.90
100001	3/16	1 1/2	1	5/16	7/16	1/2	0.2	\$ 4.90
100002	3/16	1 1/2	1	3/8	7/16	1/2	0.2	\$ 4.90
100004	3/16	2	1 1/2	1/4	7/16	1/2	0.3	\$ 6.26
100005	3/16	2	1 1/2	5/16	7/16	1/2	0.3	\$ 6.26
100006	3/16	2	1 1/2	3/8	7/16	1/2	0.3	\$ 6.26
100008	1/4	2 1/2	2	1/4	7/16	1/2	0.5	\$ 9.18
100009	1/4	2 1/2	2	5/16	7/16	1/2	0.5	\$ 9.18
100010	1/4	2 1/2	2	3/8	7/16	1/2	0.5	\$ 9.18
100012	1/4	3	2 1/2	1/4	7/16	1/2	0.8	\$ 11.74
100013	1/4	3	2 1/2	5/16	7/16	1/2	0.8	\$ 11.74
100014	1/4	3	2 1/2	3/8	7/16	1/2	0.8	\$ 11.74
100016	5/16	3	2 1/2	1/4	7/16	1/2	0.8	\$ 11.74
100017	5/16	3	2 1/2	5/16	7/16	1/2	0.8	\$ 11.74
100018	5/16	3	2 1/2	3/8	7/16	1/2	0.8	\$ 11.74
100020	5/16	3 1/2	3	3/8	5/8	3/4	1.3	\$ 16.68
100022	3/8	3 1/2	3	3/8	5/8	3/4	1.3	\$ 16.68
100024	3/8	4	3 1/4	3/8	5/8	3/4	1.8	\$ 25.30
100026	3/8	5	4 1/4	3/8	5/8	3/4	2.9	\$ 42.66



Steel Inserts (1-1/2" to 5")						
Item #	Bore	OD		Width		SP
100120	1/4	1/2		1/2		\$ 1.13
100122	5/16	1/2		1/2		\$ 1.13
100121	3/8	1/2		1/2		\$ 1.13
100123	3/8	3/4		3/4		\$ 1.47



SHEAVES, INC., 195 LEONARD DRIVE UNIT 5, GROTON CT 06340  
 Tel. 866-344-6774 • Fax 888-544-0168 • sales@eSheaves.com

# 1 1/2" - 5" STAINLESS STEEL SHEAVES



Ship from stock

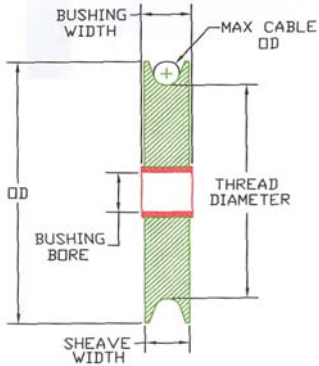
Turned from cold drawn bar stock

Stainless Steel

Bronze bushings are designed for high load and medium speed.

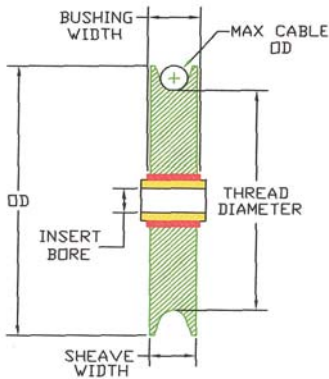
Oil-impregnated for permanent self lubrication

**Also available in Zinc Electroplated Steel**



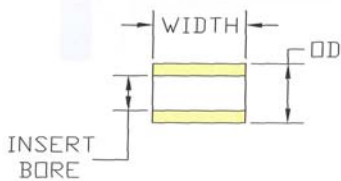
## SS Sheaves w/ Bronze Bearings (1-1/2" to 5")

Item #	Maximum Cable Size	OD	Tread Diameter	Bearing Bore	Sheave Width	Bushing Width	Weight Lbs	Sell Price
100071	3/16	1 1/2	1	1/2	7/16	15/32	0.2	\$ 13.10
100075	3/16	2	1 1/2	1/2	7/16	15/32	0.3	\$ 16.18
100079	1/4	2 1/2	2	1/2	7/16	15/32	0.5	\$ 20.00
100083	1/4	3	2 1/2	1/2	7/16	15/32	0.8	\$ 28.94
100087	5/16	3	2 1/2	1/2	7/16	15/32	0.8	\$ 28.94
100089	5/16	3 1/2	3	3/4	5/8	11/16	1.3	\$ 39.80
100091	3/8	3 1/2	3	3/4	5/8	11/16	1.3	\$ 39.80
100093	3/8	4	3 1/4	3/4	5/8	11/16	1.8	\$ 49.48
100095	3/8	5	4 1/4	3/4	5/8	11/16	2.9	\$ 74.06



## SS Sheaves w/SS Inserts (1-1/2" to 5")

Item #	Maximum Cable Size	OD	Tread Diameter	Insert Bore	Sheave Width	Insert Width	Weight Lbs	Sell Price
100068	3/16	1 1/2	1	1/4	7/16	1/2	0.2	\$ 21.90
100070	3/16	1 1/2	1	3/8	7/16	1/2	0.2	\$ 21.90
100072	3/16	2	1 1/2	1/4	7/16	1/2	0.3	\$ 24.98
100074	3/16	2	1 1/2	3/8	7/16	1/2	0.3	\$ 24.98
100076	1/4	2 1/2	2	1/4	7/16	1/2	0.5	\$ 28.80
100078	1/4	2 1/2	2	3/8	7/16	1/2	0.5	\$ 28.80
100080	1/4	3	2 1/2	1/4	7/16	1/2	0.8	\$ 37.74
100082	1/4	3	2 1/2	3/8	7/16	1/2	0.8	\$ 37.74
100084	5/16	3	2 1/2	1/4	7/16	1/2	0.8	\$ 37.74
100086	5/16	3	2 1/2	3/8	7/16	1/2	0.8	\$ 37.74
100088	5/16	3 1/2	3	3/8	5/8	3/4	1.3	\$ 52.40
100090	3/8	3 1/2	3	3/8	5/8	3/4	1.3	\$ 52.40
100092	3/8	4	3 1/4	3/8	5/8	3/4	1.8	\$ 62.08
100094	3/8	5	4 1/4	3/8	5/8	3/4	2.9	\$ 86.66



## SS Inserts (1-1/2" to 5")

Item #	Bore	OD	Width	SP
100124	1/4	1/2	1/2	\$ 8.80
100125	3/8	1/2	1/2	\$ 8.80
100127	3/8	3/4	3/4	\$ 12.60



SHEAVES, INC., 195 LEONARD DRIVE UNIT 5, GROTON CT 06340

Tel. 866-344-6774 • Fax 888-544-0168 • sales@eSheaves.com

# 4", 5" and 6" STEEL SHEAVES

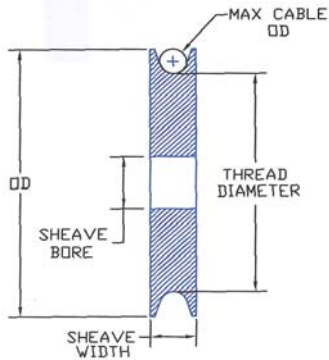


Ship from stock

Turned from cold drawn bar stock

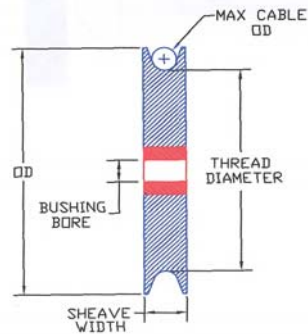
Zinc Electroplated

Bushings are designed for high load and medium speed.



## Steel Sheaves w/o Bushings 4", 5" and 6"

Item #	Maximum Cable Size	OD	Tread Diameter	Sheave Bore	Sheave Width	Weight Lbs	Sell Price
100028	3/16	4	3 5/8	7/8	17/32	1.69	\$ 22.64
100032	1/4	4	3 5/8	7/8	17/32	1.69	\$ 22.64
100036	5/16	4	3 3/8	7/8	21/32	1.83	\$ 22.64
100052	5/16	5	4 3/8	1 1/4	7/8	3.94	\$ 37.85
100060	5/16	6	5 3/8	1 1/4	7/8	6.00	\$ 55.22
100040	3/8	4	3 3/8	7/8	21/32	1.83	\$ 22.64
100054	3/8	5	4 3/8	7/8	7/8	3.94	\$ 37.85
100062	3/8	6	5 3/8	1 1/4	7/8	6.00	\$ 55.22
100044	7/16	4	3 1/8	7/8	25/32	2.00	\$ 22.64
100056	7/16	5	4 1/8	1 1/4	7/8	3.56	\$ 37.85
100064	7/16	6	5 1/8	1 1/4	7/8	5.63	\$ 55.22
100048	1/2	4	3 1/8	7/8	25/32	2.00	\$ 22.64
100058	1/2	5	4 1/8	1 1/4	7/8	3.56	\$ 37.85
100066	1/2	6	5 1/8	1 1/4	7/8	5.63	\$ 55.22



## Steel Sheaves w/Bushings 4", 5" and 6"

Item #	Maximum Cable Size	OD	Thread Diameter	Bushing Bore	Sheave Width	Bushing Width	Weight Lbs	Sell Price
100029	3/16	4	3 5/8	1/2	17/32	17/32	1.75	\$ 25.62
100030	3/16	4	3 5/8	5/8	17/32	17/32	1.74	\$ 25.62
100031	3/16	4	3 5/8	3/4	17/32	17/32	1.71	\$ 25.62
100033	1/4	4	3 5/8	1/2	17/32	17/32	1.75	\$ 25.62
100034	1/4	4	3 5/8	5/8	17/32	17/32	1.74	\$ 25.62
100035	1/4	4	3 5/8	3/4	17/32	17/32	1.71	\$ 25.62
100037	5/16	4	3 5/8	1/2	21/32	21/32	1.88	\$ 25.62
100038	5/16	4	3 5/8	5/8	21/32	21/32	1.87	\$ 25.62
100039	5/16	4	3 5/8	3/4	21/32	21/32	1.86	\$ 25.62
100053	5/16	5	4 3/8	3/4	7/8	7/8	4.09	\$ 39.88
100096	5/16	5	4 3/8	7/8	7/8	7/8	4.07	\$ 42.44
100097	5/16	5	4 3/8	1	7/8	7/8	4.02	\$ 42.44
100115	5/16	5	4 3/8	1 1/8	7/8	7/8	3.98	\$ 42.44
100104	5/16	6	5 3/8	3/4	7/8	7/8	6.15	\$ 59.80
100105	5/16	6	5 3/8	7/8	7/8	7/8	6.13	\$ 59.80
100061	5/16	6	5 3/8	1	7/8	7/8	6.08	\$ 59.80
100118	5/16	6	5 3/8	1 1/8	7/8	7/8	6.04	\$ 59.80



SHEAVES, INC., 195 LEONARD DRIVE UNIT 5, GROTON CT 06340  
 Tel. 866-344-6774 • Fax 888-544-0168 • sales@eSheaves.com

## 4", 5" and 6" STEEL SHEAVES

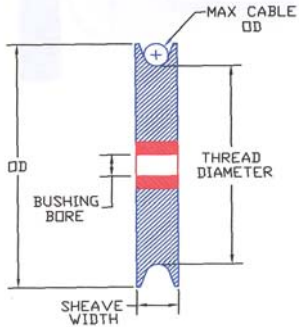


Ship from stock

Turned from cold drawn bar stock

Zinc Electroplated

Bushings are designed for high load and medium speed.



**Steel Sheaves w/Bushings 4", 5" and 6"**

Item #	Maximum Cable Size	OD	Thread Diameter	Bushing Bore	Sheave Width	Bushing Width	Weight Lbs	Sell Price
100041	3/8	4	3 3/8	1/2	21/32	21/32	1.88	\$ 25.62
100042	3/8	4	3 3/8	5/8	21/32	21/32	1.87	\$ 25.62
100043	3/8	4	3 3/8	3/4	21/32	21/32	1.86	\$ 25.62
100055	3/8	5	4 3/8	3/4	7/8	7/8	4.09	\$ 42.44
100098	3/8	5	4 3/8	7/8	7/8	7/8	4.07	\$ 42.44
100099	3/8	5	4 3/8	1	7/8	7/8	4.02	\$ 42.44
100116	3/8	5	4 3/8	1 1/8	7/8	7/8	3.98	\$ 42.44
100106	3/8	6	5 3/8	3/4	7/8	7/8	6.15	\$ 59.80
100107	3/8	6	5 3/8	7/8	7/8	7/8	6.13	\$ 59.80
100063	3/8	6	5 3/8	1	7/8	7/8	6.08	\$ 59.80
100114	3/8	6	5 3/8	1 1/8	7/8	7/8	6.04	\$ 59.80
100045	7/16	4	3 1/8	1/2	25/32	25/32	2.07	\$ 25.62
100046	7/16	4	3 1/8	5/8	25/32	25/32	2.05	\$ 25.62
100047	7/16	4	3 1/8	3/4	25/32	25/32	2.03	\$ 25.62
100100	7/16	5	4 1/8	3/4	7/8	7/8	3.71	\$ 42.44
100057	7/16	5	4 1/8	7/8	7/8	7/8	3.69	\$ 42.44
100101	7/16	5	4 1/8	1	7/8	7/8	3.64	\$ 42.44
100117	7/16	5	4 1/8	1 1/8	7/8	7/8	3.60	\$ 42.44
100108	7/16	6	5 1/8	3/4	7/8	7/8	5.78	\$ 59.80
100109	7/16	6	5 1/8	7/8	7/8	7/8	5.76	\$ 59.80
100065	7/16	6	5 1/8	1 1/8	7/8	7/8	5.67	\$ 59.80
100049	1/2	4	3 1/8	1/2	25/32	25/32	2.07	\$ 25.62
100050	1/2	4	3 1/8	5/8	25/32	25/32	2.05	\$ 25.62
100051	1/2	4	3 1/8	3/4	25/32	25/32	2.03	\$ 25.62
100102	1/2	5	4 1/8	3/4	7/8	7/8	3.71	\$ 42.44
100059	1/2	5	4 1/8	7/8	7/8	7/8	3.69	\$ 42.44
100103	1/2	5	4 1/8	1	7/8	7/8	3.64	\$ 42.44
100112	1/2	5	4 1/8	1 1/8	7/8	7/8	3.60	\$ 42.44
100110	1/2	6	5 1/8	3/4	7/8	7/8	5.78	\$ 59.80
100111	1/2	6	5 1/8	7/8	7/8	7/8	5.76	\$ 59.80
100113	1/2	6	5 1/8	1	7/8	7/8	5.71	\$ 59.80
100067	1/2	6	5 1/8	1 1/8	7/8	7/8	5.67	\$ 59.80

Need modifications to any of these sheaves?

We can add ball bearings, roller bearings, larger bushings or even hubs for fixing to a shaft.

Tell us what you need and we'll give you a price and delivery quote, usually within 24 hours.

Most modified sheaves ship within 3 working days, depending on bearing availability.



SHEAVES, INC., 195 LEONARD DRIVE UNIT 5, GROTON CT 06340  
Tel. 866-344-6774 • Fax 888-544-0168 • sales@eSheaves.com